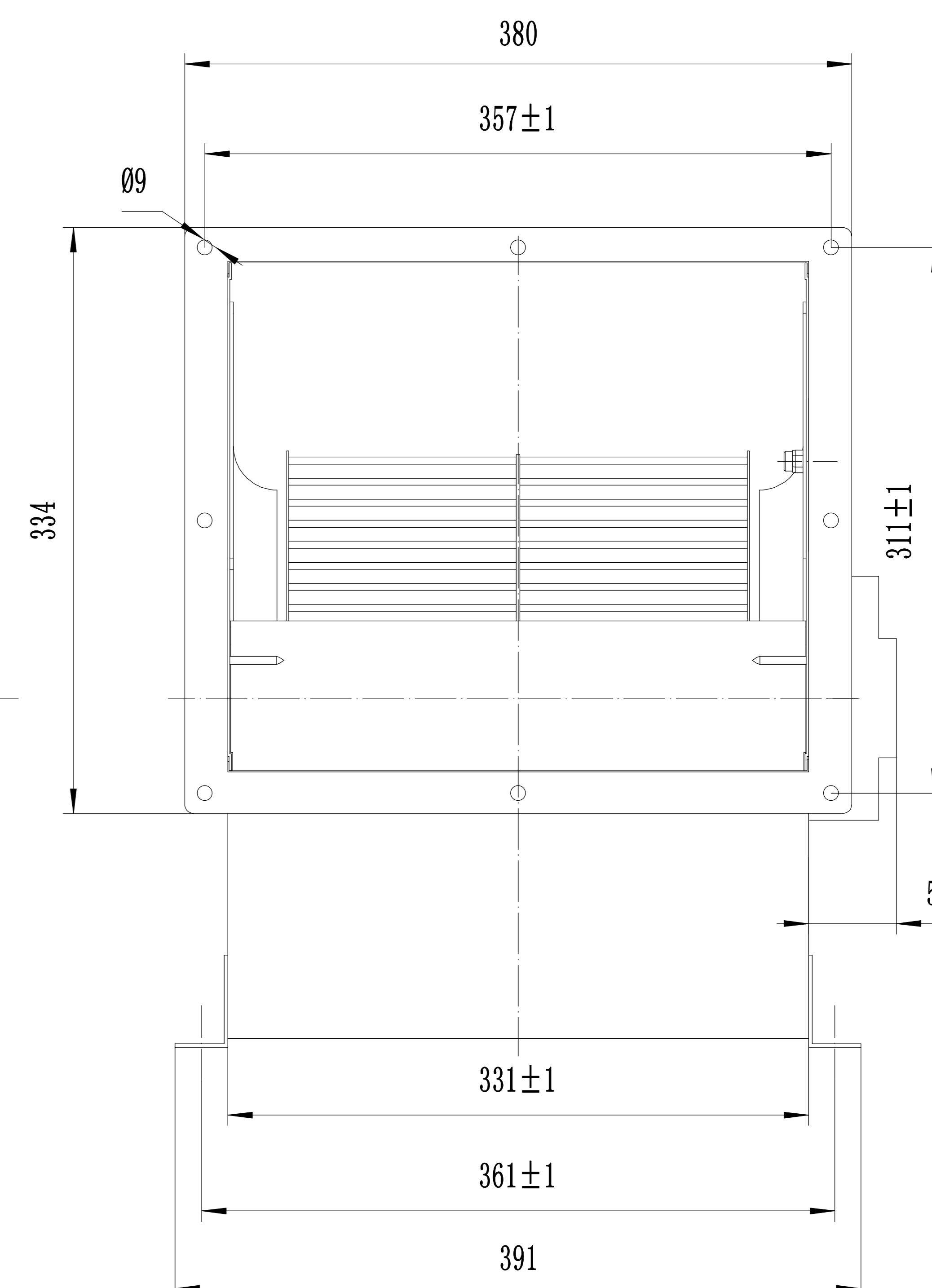
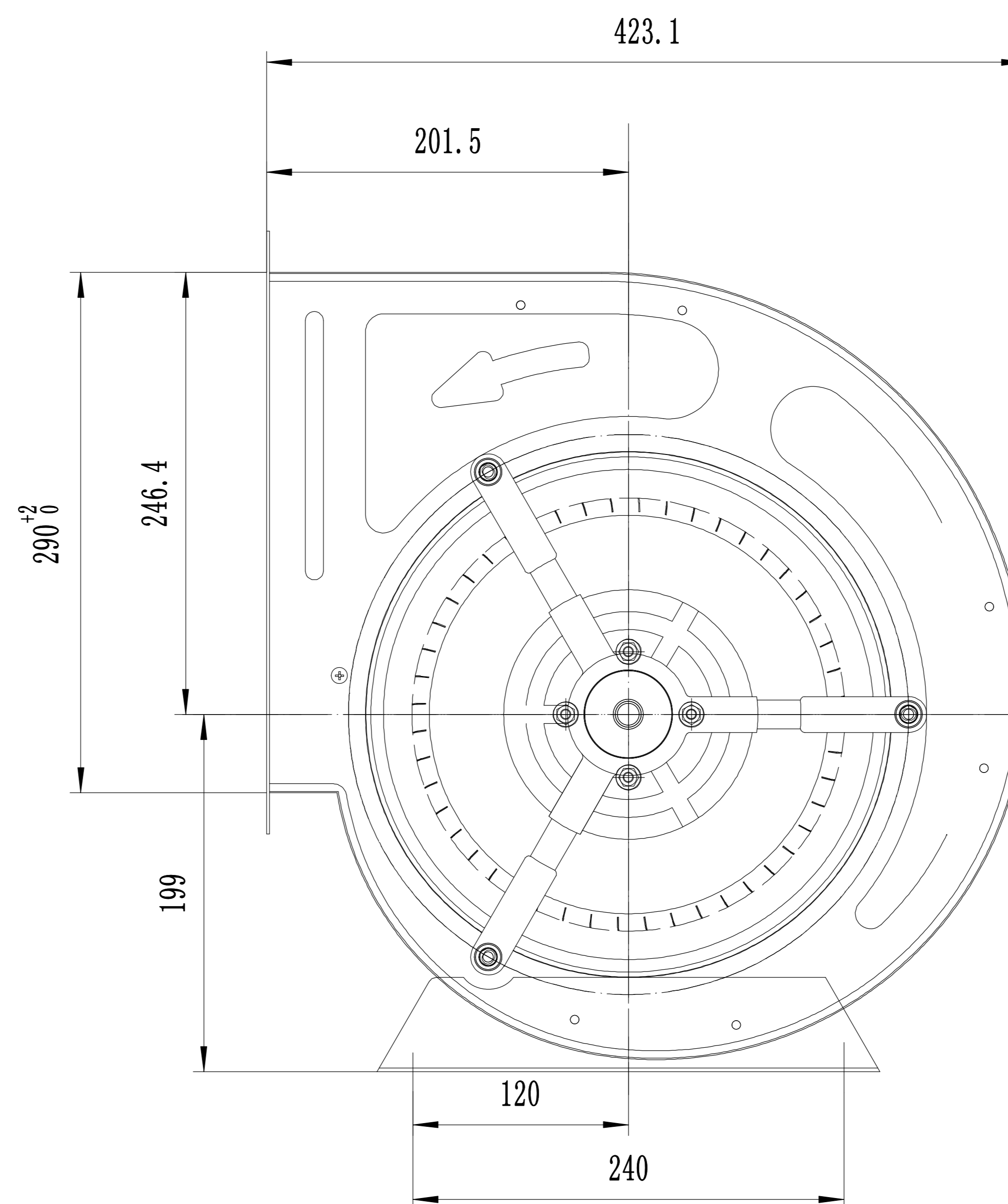
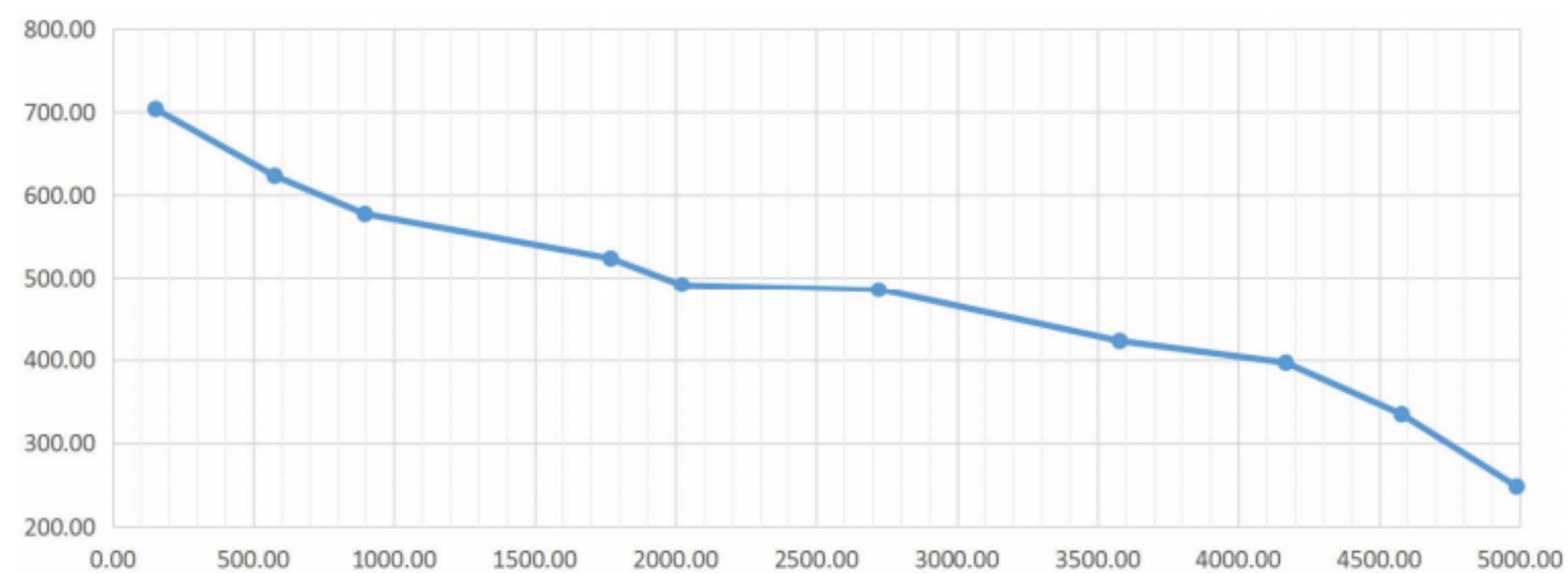
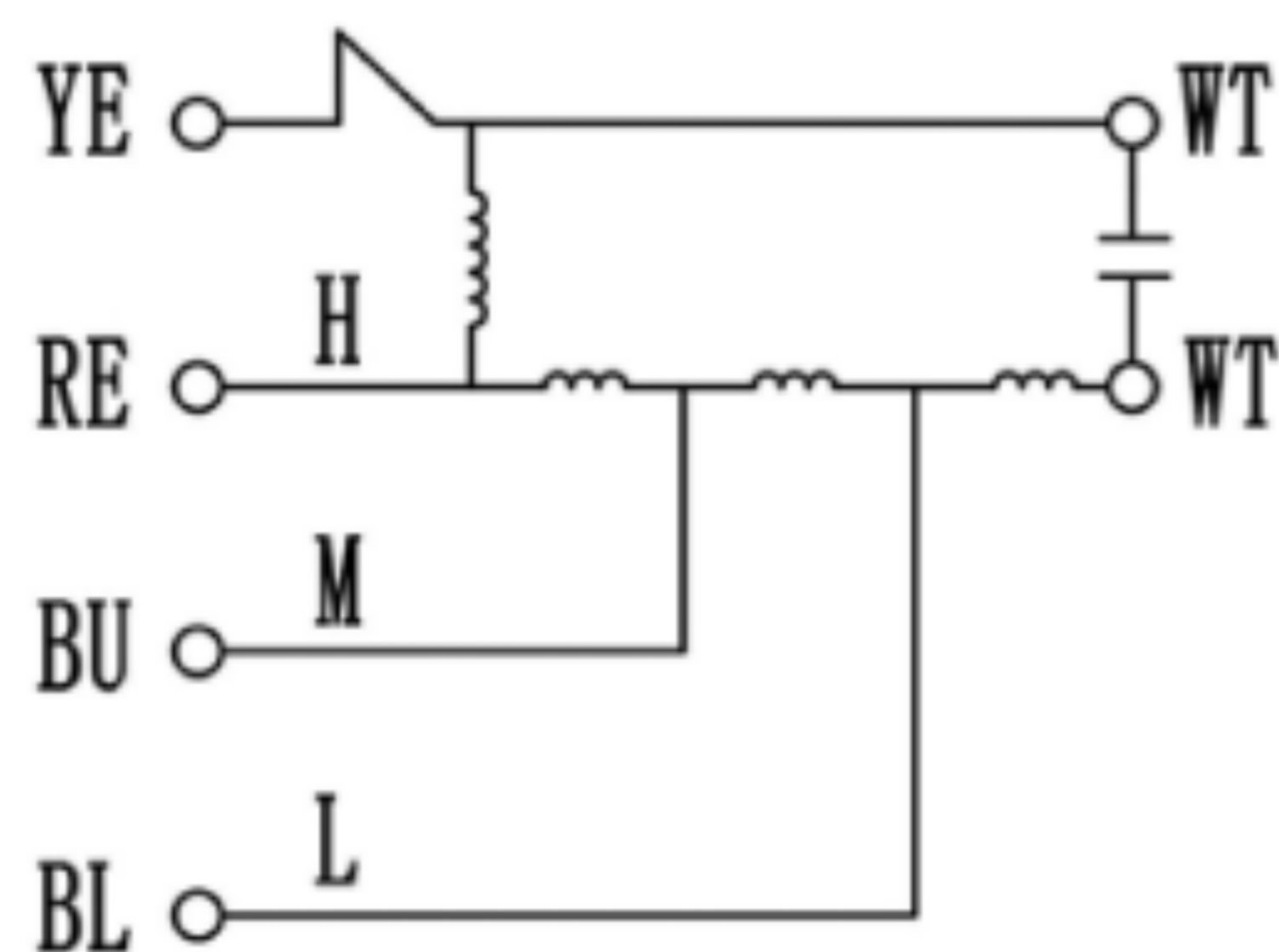


Technical Request

- When the fan is running at high speed, there is no abnormal noise, and there are no obvious scratches, indentations, deformations, oil stains, and other defects on the surface of each component
- The radial runout of the impeller is less than 1.2mm; Axial runout less than 1.0mm
- The residual imbalance is less than 150mg
- Unmarked tolerance shall be executed according to GB/T1804-2000V
- Each electric welding is uniform and firm, and the inner and outer welding points are coated with silver gray paint.



SPECIFICATION

VOLTAGE (V)	380
Frequency (Hz)	50
Speed (r/min)	1440
Current (A)	3±10%
Power input (W)	750
Insulation Class	CL.F
Protection Type	IP54

					Stage Mark		Material		Ratio	1:2.5	Weight
					S		Ningbo Longwell Electric Technology Co., Limited				
					A1						
					Design	GUO	20260204				
					Audit						
					Technical						
					Standard						
Mark	Qty	Sign	Name	Date	Approve			第 1 页		共 1 页	

DD10-10I-014